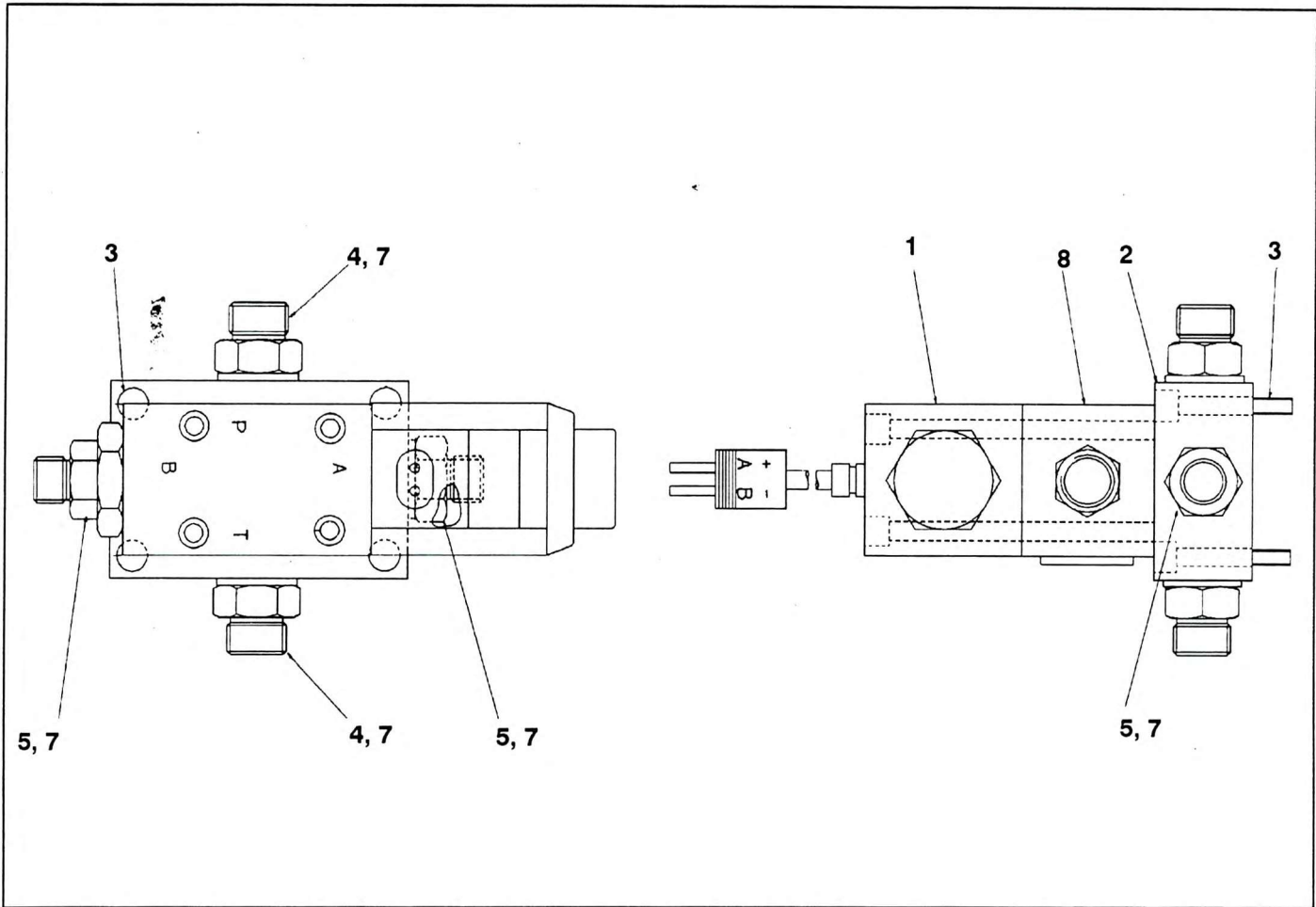


**RADIATOR SHIELDS VALVE ASSY**



NO.	PART NO.	QTY.	DESCRIPTION	NO.	PART NO.	QTY.	DESCRIPTION
1+	7-926-990550	1	Valve Directional Control				
2	8592964	1	Solenoid Subplate				
3	7-128-131354	4	Skt Hd Cap Screw M5 x 30				
4	7-443-990912	2	Adaptor 3/8" BSP/ORFS Fits to Ports T and P				
5	7-443-991181	2	Adaptor 3/8" BSP -1/4" ORFS				
7	7355204	4	Bonded Seal 3/8 BSP				
8+	7-926-990424	1	Pressue Reducing Valve Screw Pressure Adjuster right out then in until the Blind operates at a max pressure of 10 bar				

+ See further breakdown in this group